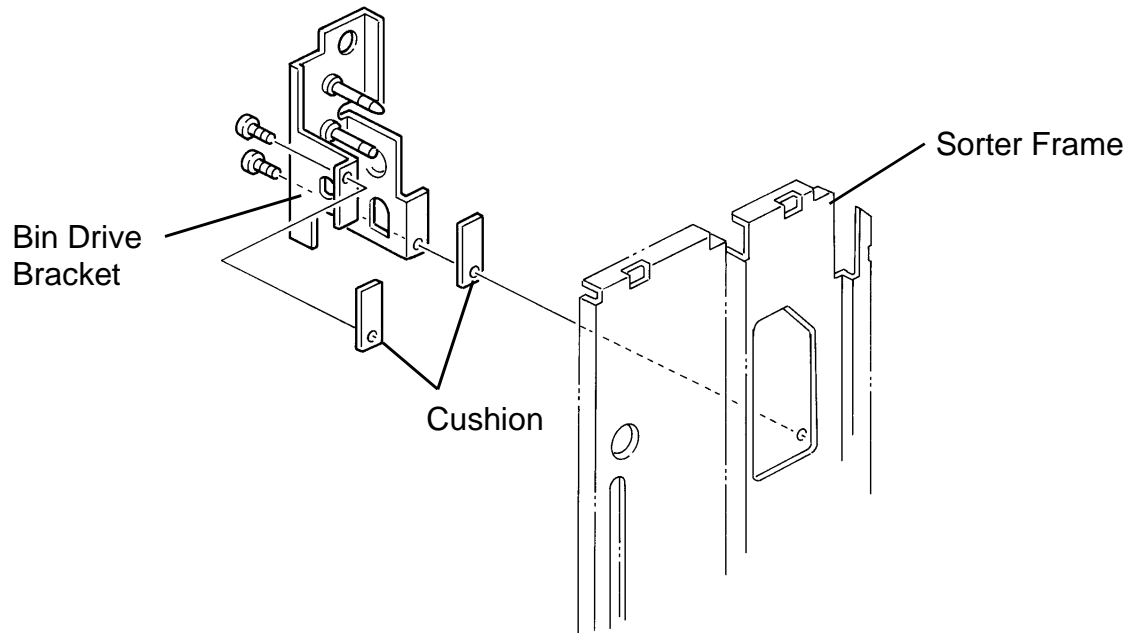


| | | | | |
|--------------------------------|--|----------------|-----------------------------|----------------------|
| Model | ST26 (Matt20B) | Volt/Hz | Date of Modification | Serial Number |
| Modified Article | Cushion 39 x 11 | | | |
| Reason for Modification | To eliminate vibration noise from the bin drive bracket, two rubber cushions have been added between the frame and the bracket as shown in the illustration below. | | | |

| Old P/N | New P/N | Description | Q'ty Used | Parts Catalog | |
|---------|----------|-----------------|-----------|---------------|------|
| | | | | Index No. | Page |
| | A5543114 | Cushion 39 x 11 | 0 → 2 | * 35 | 11 |

* New Index



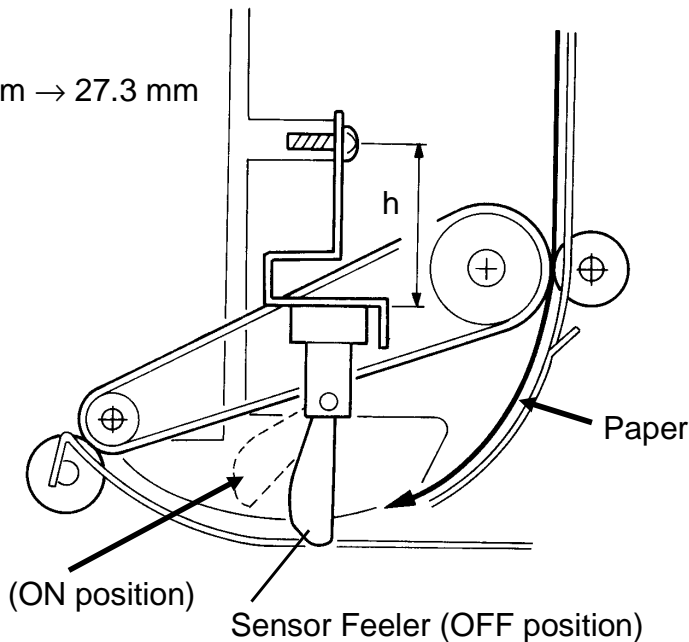
M. Iwasa, Manager
 Technical Support Department

| MODEL NAME | V/Hz | DESTINATION | CODE | SERIAL NUMBER |
|------------|-----------------------|-------------|---------|---------------|
| ST - 26 | 115/60 | USA, Canada | A554-15 | 2A45040001 |
| ST - 26 | 115/60 220, 240/50 | Whole World | A554-17 | A3805040001 |
| ST - 26 | 115/60 220, 240/50 | Whole World | A554-22 | 8805040001 |
| ST - 26 | 220, 240/50 | Europe | A554-26 | 3G70450001 |

| | | | | |
|--------------------------------|--|----------------|-----------------------------|----------------------|
| Model | ST26 (Matt20B) | Volt/Hz | Date of Modification | Serial Number |
| Modified Article | Bracket - Lower Exit Sensor | | | |
| Reason for Modification | To ensure that the paper exit sensor functions correctly | | | |

| Old P/N | New P/N | Description | Q'ty Used | Inter-change-ability | Parts Catalog | |
|----------|----------|-----------------------------|-----------|----------------------|---------------|------|
| | | | | | Index No. | Page |
| A3742183 | A5542183 | Bracket - Lower Exit Sensor | 1 → 1 | X/O | 8 | 9 |

h : 24.5 mm → 27.3 mm



The paper exit sensor feeler sometimes malfunctions and turns off, even though a sheet of paper is still underneath the sensor. To lower the sensor feeler position and ensure that the sensor is actuated correctly, the height of the sensor bracket has been changed as shown in the illustration.

M. Iwasa, Manager
 Technical Support Department

| MODEL NAME | V/Hz | DESTINATION | CODE | SERIAL NUMBER |
|------------|-----------------------|-------------|---------|---------------|
| ST - 26 | 115/60 | USA, Canada | A554-15 | 2A45030001 |
| ST - 26 | 115/60 220, 240/50 | Whole World | A554-17 | A3805030001 |
| ST - 26 | 115/60 220, 240/50 | Whole World | A554-22 | 8805030001 |
| ST - 26 | 220, 240/50 | Europe | A554-26 | 3G70350001 |

| | | | | |
|--------------------------------|------------------------------|-------------------------------------|-----------------------------|----------------------|
| Model | Phoenix-20bin Sorter Stapler | Volt/Hz | Date of Modification | Serial Number |
| Modified Article | Parts Catalog | No serial number cut-in information | | |
| Reason for Modification | Parts Catalog Correction | | | |
| | | | | |
| | | | | |

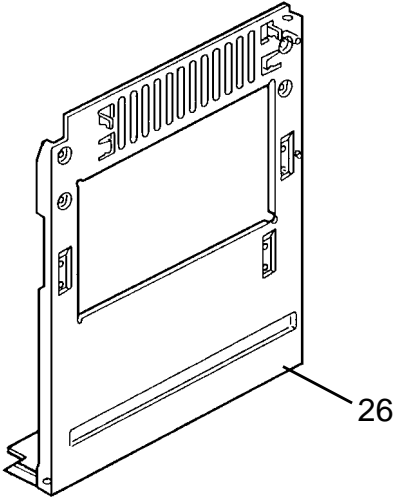
Please correct your parts catalog as follows:

| INCORRECT P/N | CORRECT P/N | Description | Q'ty Used | Parts Catalog | |
|---------------|-------------|----------------------------|-----------|---------------|------|
| | | | | Index No. | Page |
| A374 2141 | A374 2147 | Plate Spring - Upper Cover | 1 → 1 | 7 | 3 |
| A374 2147 | A374 2141 | Exit Roller Guide | 1 → 1 | 21 | 3 |

M. Iwasa, Manager
 Technical Support Department

| | | | | |
|--------------------------------|---|-------------------------------------|-----------------------------|----------------------|
| Model | ST26 (Matt20B) | Volt/Hz | Date of Modification | Serial Number |
| Modified Article | Part Catalog | No serial number cut-in information | | |
| Reason for Modification | Part Number assigned for the sorter mounting frame. | | | |
| | | | | |
| | | | | |

| New P/N | Description | Parts Catalog | |
|-----------|--------------------|---------------|------|
| | | Index No. | Page |
| A554 1151 | S/S Mounting Frame | 26 | 7 |



M. Iwasa, Manager
Technical Support Department

| | | | | |
|--------------------------------|-------------------------------|----------------|-----------------------------|----------------------|
| Model | ST26 | Volt/Hz | Date of Modification | Serial Number |
| Modified Article | Main Control Board | | | |
| Reason for Modification | To meet the CE Mark Standards | | | |
| | | | | |
| | | | | |

| Old P/N | New P/N | Description | Q'ty Used | Inter-change-ability | Parts Catalog | |
|----------|----------|--------------------|-----------|----------------------|---------------|------|
| | | | | | Index No. | Page |
| A5545100 | A5545105 | Main Control Board | 1 → 1 | X/O | 31 | 11 |

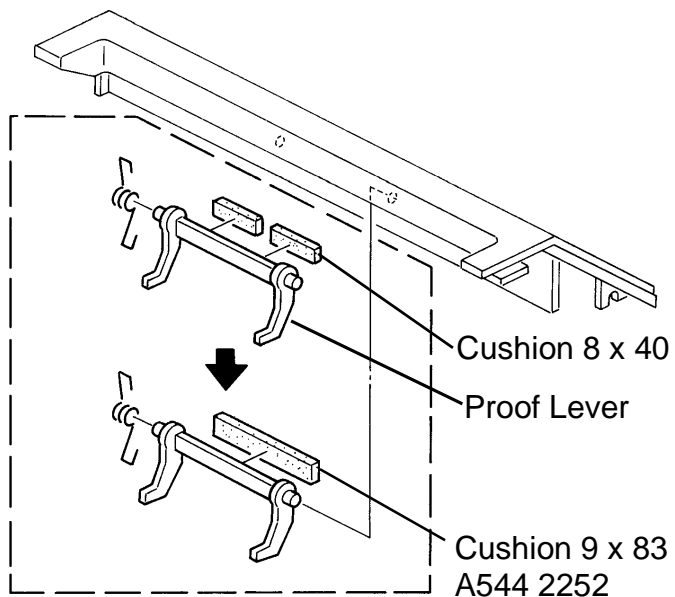
Note: In markets other than Europe, the interchangeability is O/O.

M. Iwasa, Manager
 Technical Support Department

| MODEL NAME | V/Hz | DESTINATION | CODE | SERIAL NUMBER |
|------------|-----------------------|-------------|---------|---------------|
| ST - 26 | 115/60 | USA, Canada | A554-15 | 2A45070001 |
| ST - 26 | 115/60 220, 240/50 | Whole World | A554-17 | A3805070001 |
| ST - 26 | 115/60 220, 240/50 | Whole World | A554-22 | 8805070001 |
| ST - 26 | 220, 240/50 | Europe | A554-26 | 3G75070001 |

| | | | | |
|--------------------------------|---------------------------------------|--------------------------------------|-----------------------------|----------------------|
| Model | ST26 | Volt/Hz | Date of Modification | Serial Number |
| Modified Article | Cushion | No serial number cut-in information. | | |
| Reason for Modification | To facilitate assembly in the factory | | | |
| | | | | |
| | | | | |

| Old P/N | New P/N | Description | Q'ty Used | Inter-changeability | Parts Catalog | |
|-----------|-----------|----------------|-----------|---------------------|---------------|------|
| | | | | | Index No. | Page |
| A498 2266 | | Cushion 8 x 40 | 2 → 0 | O/O | 16 | 3 |
| | A554 2252 | Cushion 9 x 83 | 0 → 1 | | 16 | 3 |



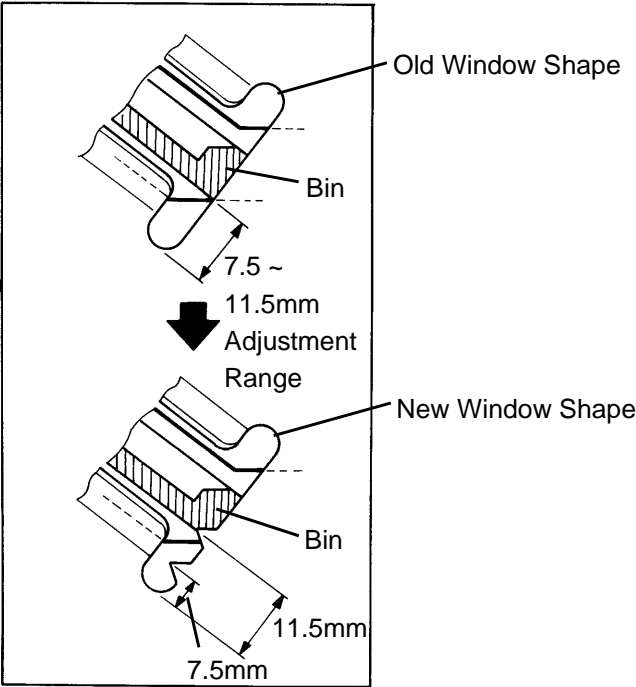
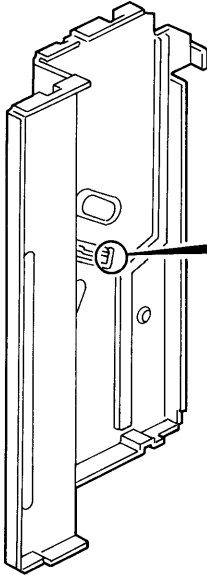
M. Iwasa, Manager
 Technical Support Department

| | | | | |
|--------------------------------|--|----------------|-----------------------------|----------------------|
| Model | ST26 | Volt/Hz | Date of Modification | Serial Number |
| Modified Article | Bin Shaft Cover | | | |
| Reason for Modification | To facilitate the bin home sensor adjustment | | | |

The window shape of the Front Bin Shaft Cover has been changed as shown in the illustration for the above reason.

| Old P/N | New P/N | Description | Q'ty Used | Inter-changeability | Parts Catalog | |
|-----------|-----------|-------------------------|-----------|---------------------|---------------|------|
| | | | | | Index No. | Page |
| A374 1622 | A554 1622 | Bin Shaft Cover - Front | 1 → 1 | O/O | 28 | 11 |

Bin Shaft Cover - Front



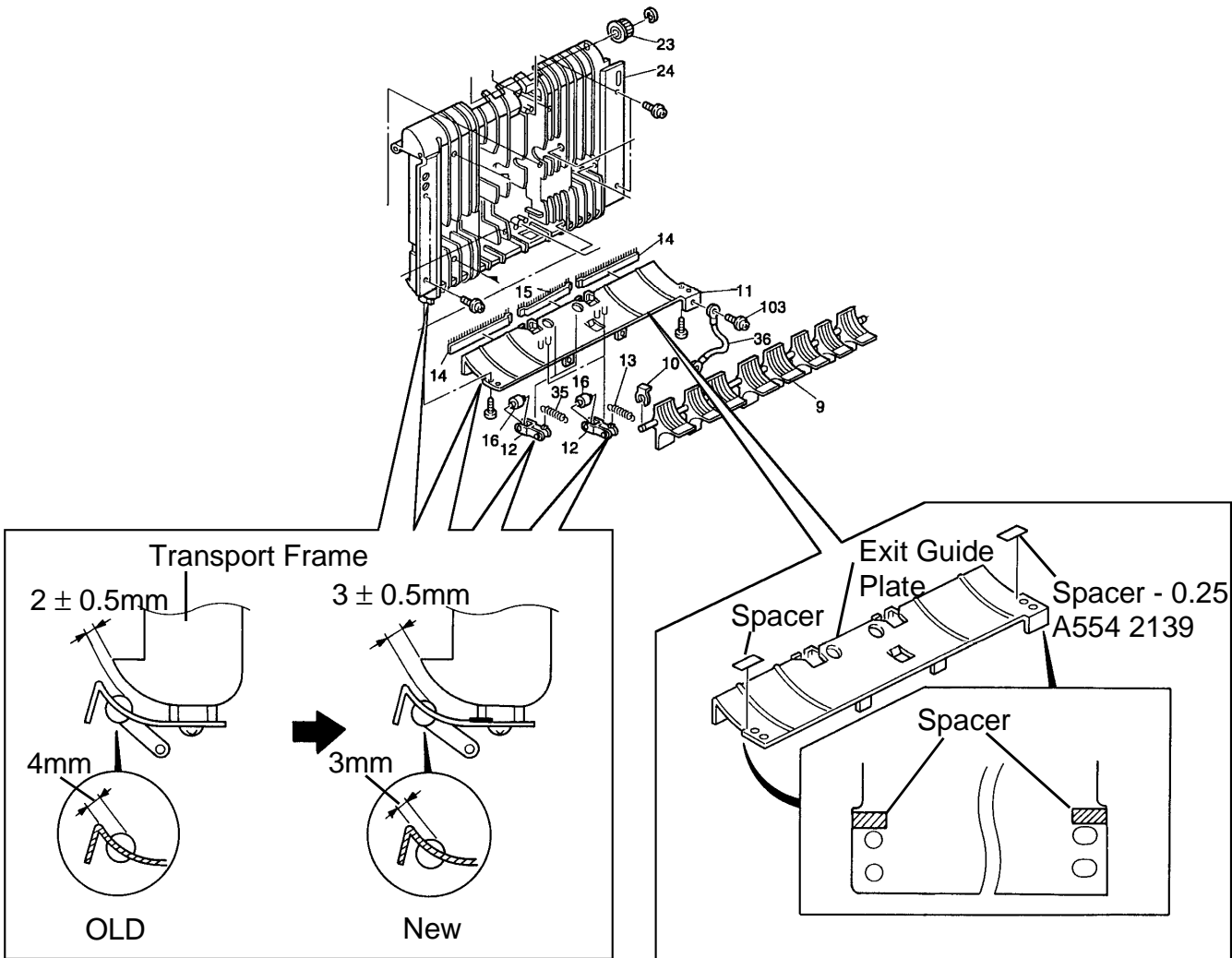
M. Iwasa, Manager
 Technical Support Department

| MODEL NAME | V/Hz | DESTINATION | CODE | SERIAL NUMBER |
|------------|-----------------------|-------------|---------|---------------|
| ST - 26 | 115/60 | USA, Canada | A554-15 | 2A45030001 |
| ST - 26 | 115/60 220, 240/50 | Whole World | A554-17 | A3805030001 |
| ST - 26 | 115/60 220, 240/50 | Whole World | A554-22 | 8805030001 |
| ST - 26 | 220, 240/50 | Europe | A554-26 | 3G70350001 |

| | | | | |
|--------------------------------|---|----------------|-----------------------------|----------------------|
| Model | ST26 | Volt/Hz | Date of Modification | Serial Number |
| Modified Article | Exit Guide Spacer and Vibrating Roller Holder | | | |
| Reason for Modification | To prevent paper skew | | | |
| | | | | |
| | | | | |

To prevent paper from skewing, two spacers have been added on the exit guide plate, and the vibrating roller holders have been changed as shown in the illustration.

| Old P/N | New P/N | Description | Q'ty Used | Inter-change-ability | Parts Catalog | |
|-----------|-----------|------------------|-----------|----------------------|---------------|------|
| | | | | | Index No. | Page |
| | A554 2139 | Spacer - 0.25 | 0 → 2 | | 41 | 9 |
| A554 2171 | A554 2173 | Vibrating Holder | 2 → 2 | X/O | 12 | 9 |



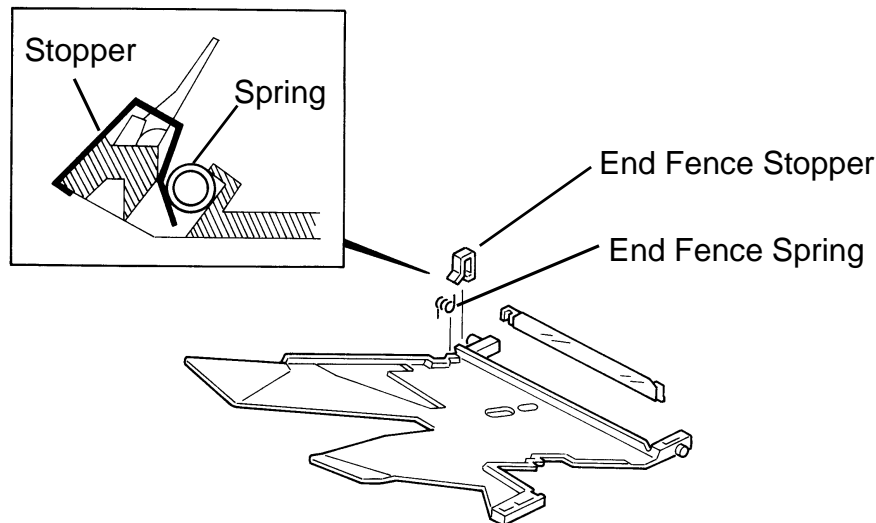
M. Iwasa, Manager
Technical Support Department

| MODEL NAME | V/Hz | DESTINATION | CODE | SERIAL NUMBER |
|------------|-----------------------|-------------|---------|---------------|
| ST - 26 | 115/60 | USA, Canada | A554-15 | 2A45070001 |
| ST - 26 | 115/60 220, 240/50 | Whole World | A554-17 | A3805070001 |
| ST - 26 | 115/60 220, 240/50 | Whole World | A554-22 | 8805070001 |
| ST - 26 | 220, 240/50 | Europe | A554-26 | 3G70750001 |

| | | | | |
|--------------------------------|---|----------------|-----------------------------|----------------------|
| Model | ST26 | Volt/Hz | Date of Modification | Serial Number |
| Modified Article | End Fence Stopper | | | |
| Reason for Modification | To prevent the end fence springs of the sorter bins from coming off | | | |

The end fence stoppers have been added to each bin for the above reason. The parts numbers for the Bin Ass'y have also been changed as follows.

| Old P/N | New P/N | Description | Q'ty Used | Inter-change-ability | Parts Catalog | |
|-----------|-----------|-------------------|-----------|----------------------|---------------|------|
| | | | | | Index No. | Page |
| | A554 3512 | End Fence Stopper | 0 → 20 | | 24 | 15 |
| A554 3505 | A554 3506 | Bin Ass'y | 19 → 19 | X/O | 15 | 15 |
| A554 3507 | A554 3508 | Lower Bin Ass'y | 1 → 1 | X/O | 22 | 15 |



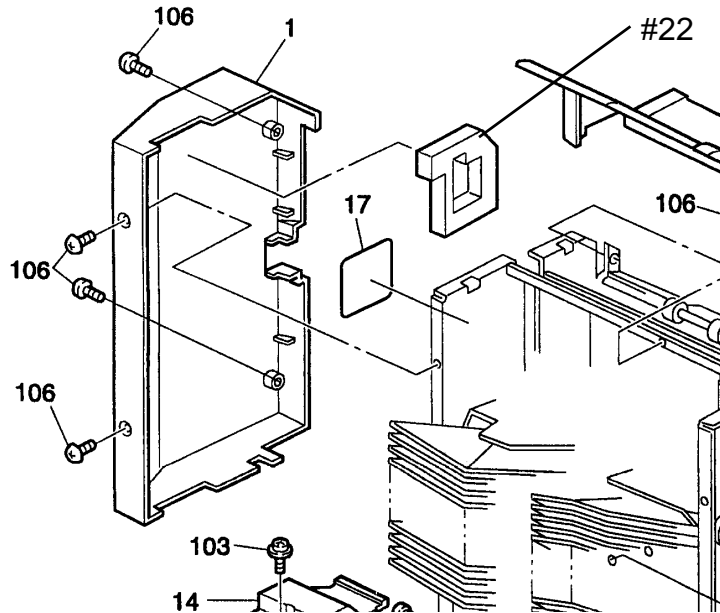
M. Iwasa, Manager
 Technical Support Department

| MODEL NAME | V/Hz | DESTINATION | CODE | SERIAL NUMBER |
|------------|-----------------------|-------------|---------|---------------|
| ST - 26 | 115/60 | USA, Canada | A554-15 | 2A45090001 |
| ST - 26 | 115/60 220, 240/50 | Whole World | A554-17 | A3805090001 |
| ST - 26 | 115/60 220, 240/50 | Whole World | A554-22 | 8805090001 |
| ST - 26 | 220, 240/50 | Europe | A554-26 | 3G70950001 |

| | | | | |
|--------------------------------|-------------------------|-------------------------------------|-----------------------------|----------------------|
| Model | ST26 | Volt/Hz | Date of Modification | Serial Number |
| Modified Article | Parts Catalog | No serial number cut-in information | | |
| Reason for Modification | Parts Number assignment | | | |
| | | | | |
| | | | | |

A part number for the cushion on the rear cover has been assigned.
Please add this part number to your parts catalog.

| Correct P/N | Description | Q'ty Used | Parts Catalog | |
|-------------|----------------------|-----------|---------------|------|
| | | | Index No. | Page |
| A554 1910 | Cushion - Rear Cover | 0 → 1 | 22 | 3 |



T. Inoue
T. Inoue, General Manager
1st Field Information Dept. QAC

| | | | | |
|--------------------------------|--------------------------|-------------------------------------|-----------------------------|----------------------|
| Model | ST26 | Volt/Hz | Date of Modification | Serial Number |
| Modified Article | Parts Catalog | No serial number cut-in information | | |
| Reason for Modification | Parts Catalog Correction | | | |
| | | | | |
| | | | | |

Please delete this part from your parts catalog.
 A special tool is needed to install this part on the bin.

| Old P/N | Description | Q'ty Used | Parts Catalog | |
|-----------|-------------|-----------|---------------|------|
| | | | Index No. | Page |
| A374 3516 | End Fence | 1 → 0 | 18 | 15 |



T. Inoue, General Manager
 1st Field Information Dept. QAC